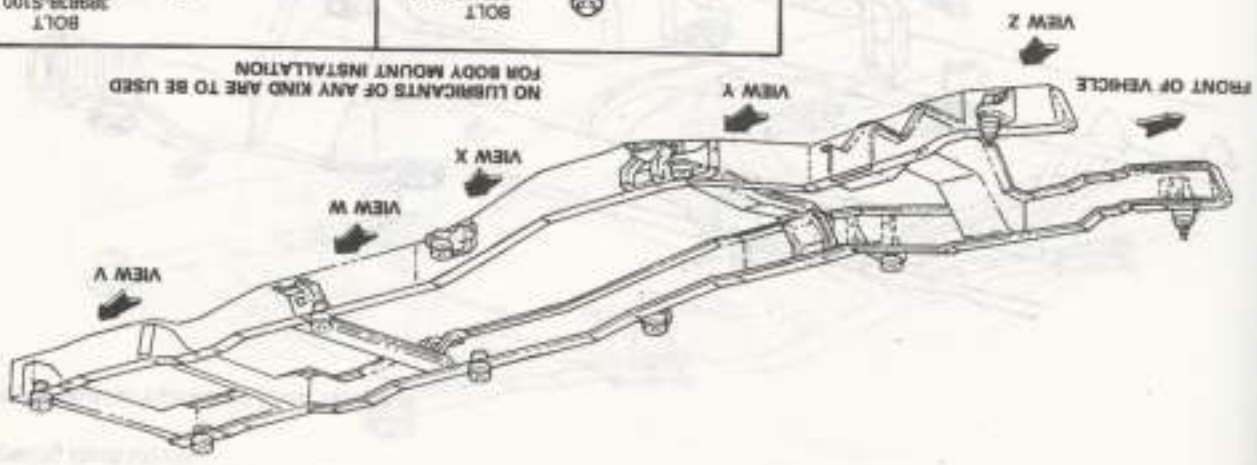


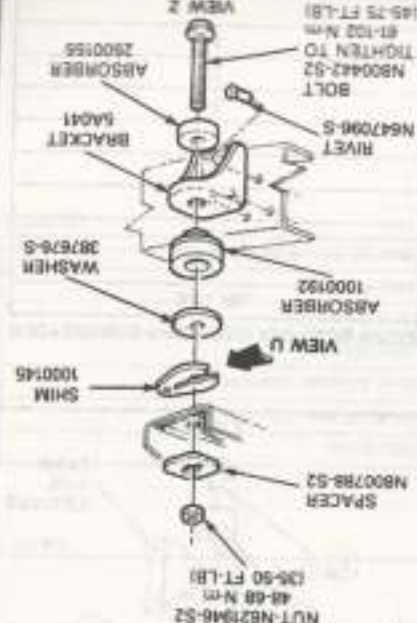
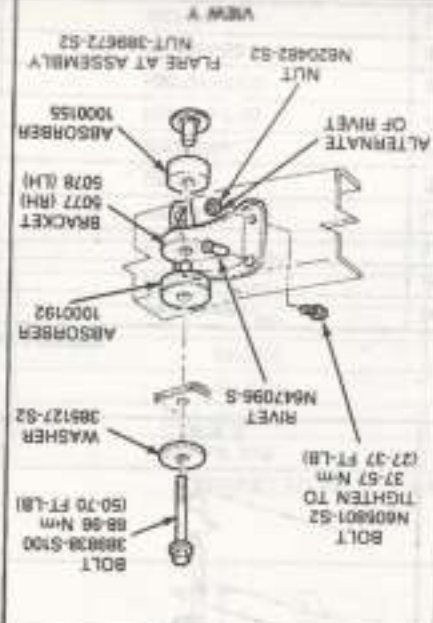
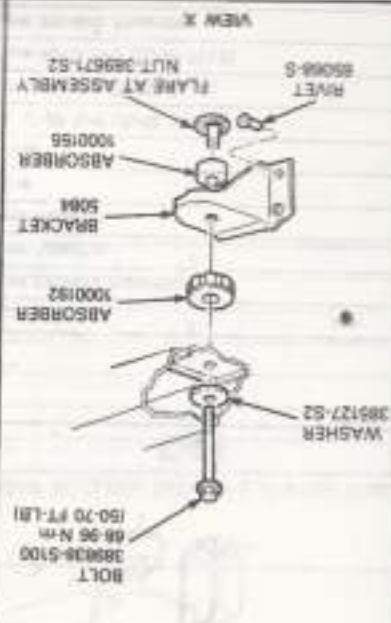
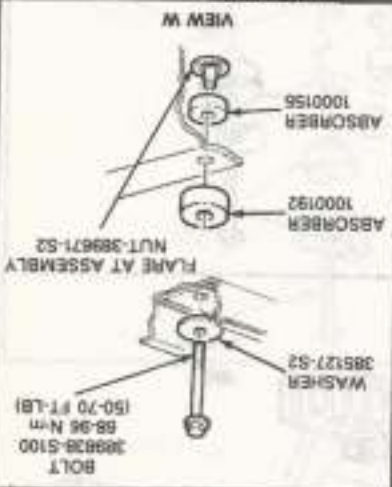
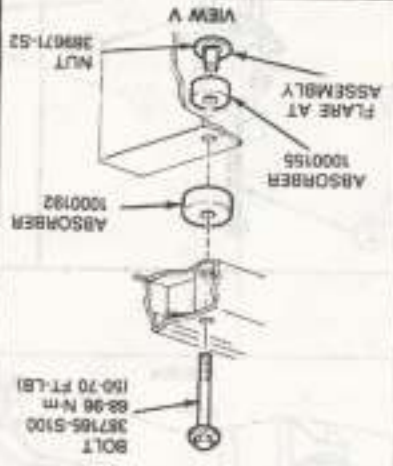
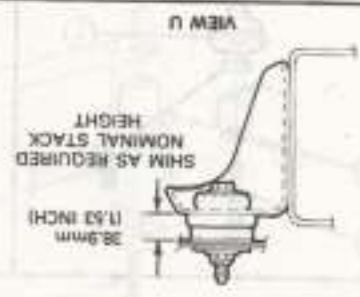
REMOVAL AND INSTALLATION (Continued)

(REPHRASE) MOUNTS SHOWN ONLY FOR ILLUSTRATION

Body Mounts, Bronco

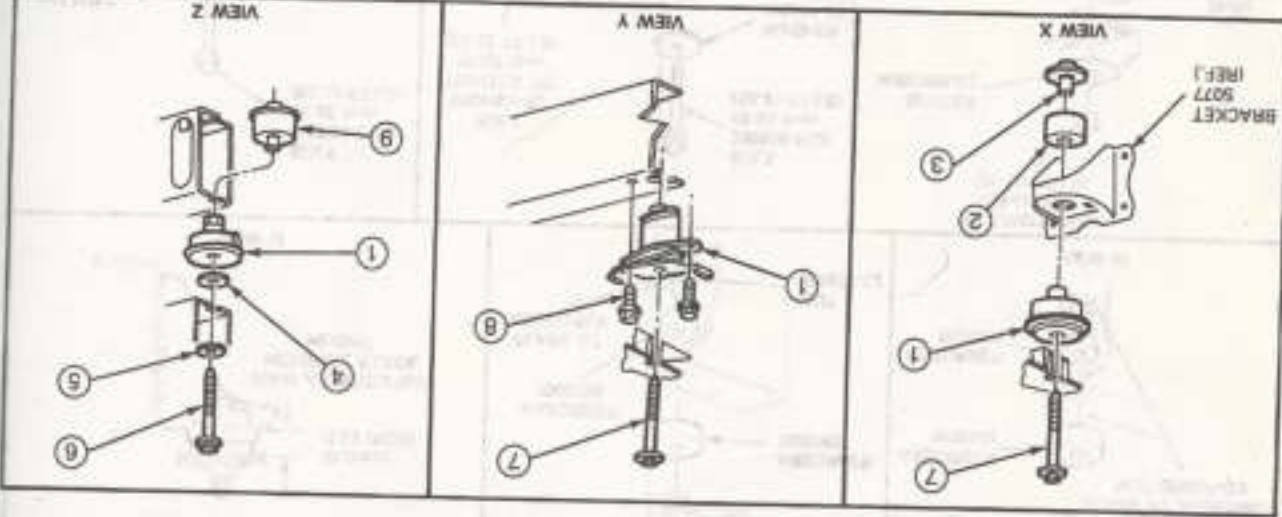
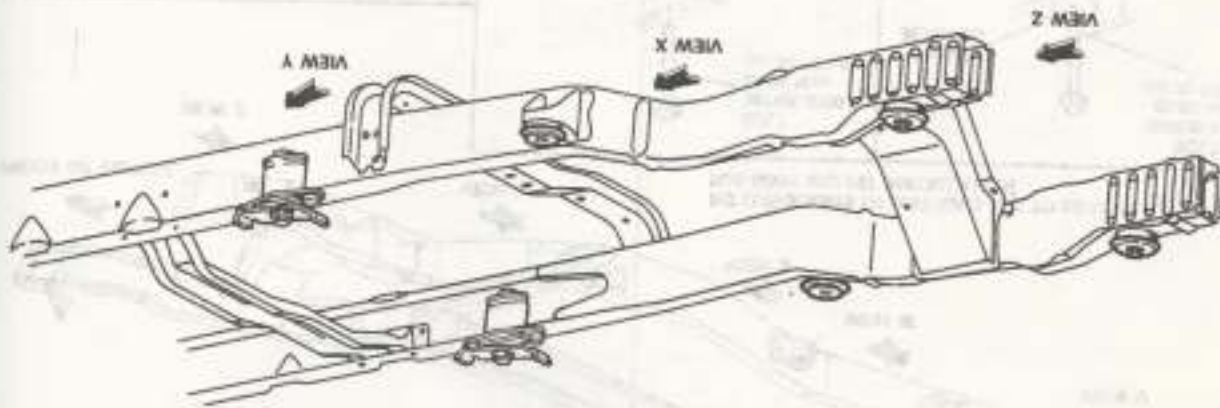


NO LUBRICANTS OF ANY KIND ARE TO BE USED FOR BODY MOUNT INSTALLATION



REMOVAL AND INSTALLATION (Continued)

Body Mounts, E-150-250-350 and Club Wagon  
 Removal and Installation  
 The E-150-250-350 body mounts are shown in the  
 following illustrations.  
 Body Mounts, Vans and Club Wagons

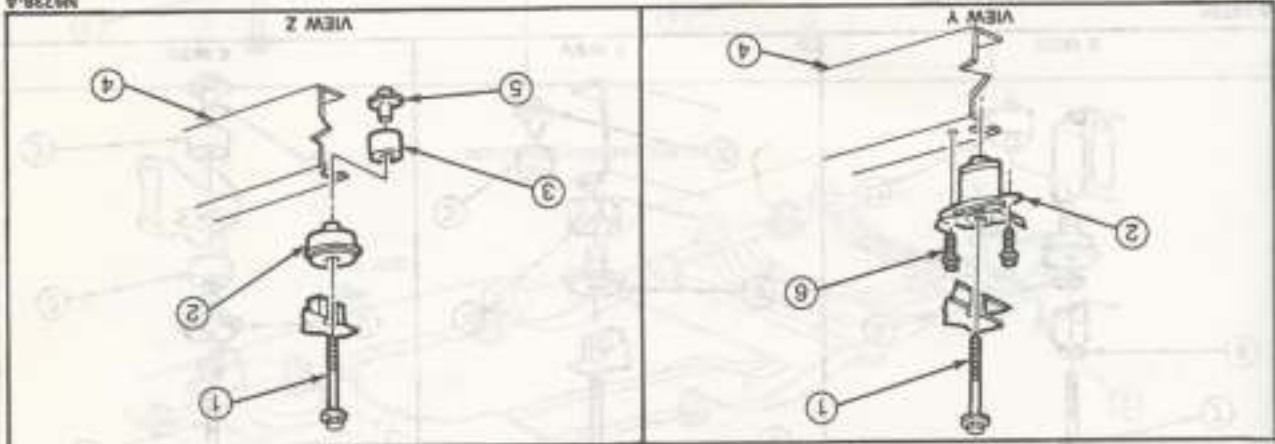
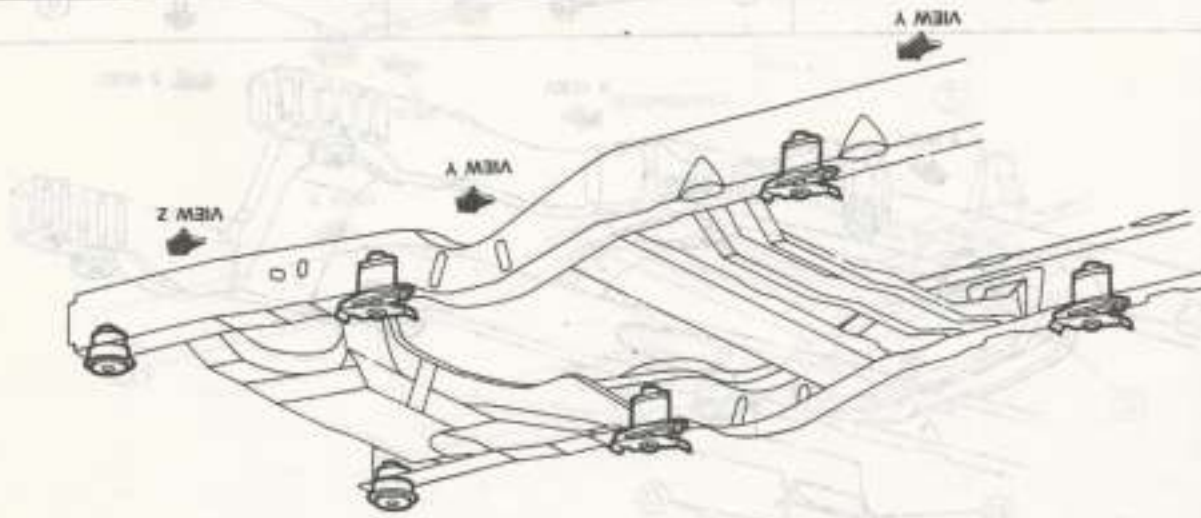


BODY MOUNTS E-150, VANS AND CLUB WAGONS (LEGEND)

Item No.	Part Number	Description
1	1000192	Upper Insulator Assembly
2	1000155	Lower Absorber
3	1000151	Lower Resilient
4	6200145	Shims
5	388235-S2	Washer
6	N807248-S100	Box 40-68 N-m (30-50 Ft-Lb)
7	N807249-S100	Box 40-68 N-m (30-50 Ft-Lb)
8	N801954-S2	Screw 40-55 N-m (30-40 Ft-Lb)
9	1000183	Lower Insulator Assembly

REMOVAL AND INSTALLATION (Continued)

Body Mounts, E-150 Vans and Club Wagons (Continued)



BODY MOUNTS, E-150 VANS AND CLUB WAGONS (CONTINUED) (LEGEND)

Item No.	Part Number	Description
1	NB07249-5100	Bolt 40-68 Nm (30-50 Ft-Lb)
2	1000192	Upper Absorber Assembly
3	1000155	Lower Absorber
4	Part	Frame Assembly
5	1000151	Lower Retainer
6	NB01954-52	Screw 40-55 Nm (30-40 Ft-Lb)

CN8738-A